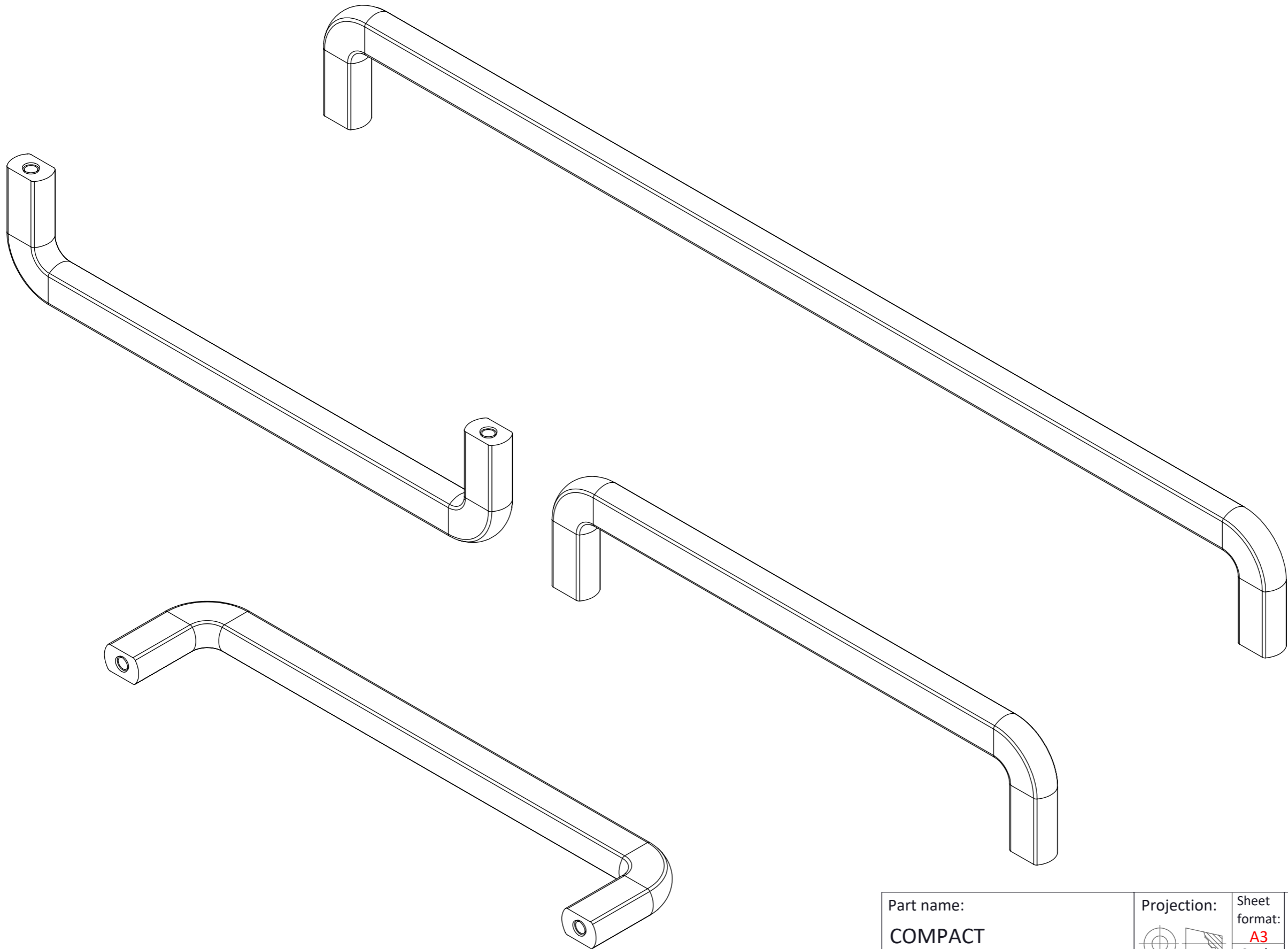
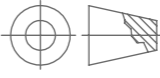


Part name: COMPACT	Projection: 	Sheet format: A3	Tolerance unless otherwise specified DS/ISO 2768-1M																	
Customer:	Drawn by: IBL	Scale: 1:1	<table border="1"> <tr> <td>Linear dimensions:</td> <td>0-3</td> <td>3-6</td> <td>6-30</td> <td>30-120</td> <td>120-400</td> <td>400-1000</td> <td>1000-2000</td> </tr> <tr> <td></td> <td>±0,1</td> <td>±0,1</td> <td>±0,2</td> <td>±0,3</td> <td>±0,5</td> <td>±0,8</td> <td>±1,2</td> </tr> </table>		Linear dimensions:	0-3	3-6	6-30	30-120	120-400	400-1000	1000-2000		±0,1	±0,1	±0,2	±0,3	±0,5	±0,8	±1,2
Linear dimensions:	0-3	3-6	6-30	30-120	120-400	400-1000	1000-2000													
	±0,1	±0,1	±0,2	±0,3	±0,5	±0,8	±1,2													
Part no.: 542860XXX	Sheet 1 of 4	<table border="1"> <tr> <td>Angle</td> <td>Radius</td> <td></td> <td></td> </tr> <tr> <td>±0,5°</td> <td>±5%</td> <td></td> <td></td> </tr> </table>		Angle	Radius			±0,5°	±5%											
Angle	Radius																			
±0,5°	±5%																			
Material: ZINC	Weight: XXX	<p>furnipart[®]</p> <p>Delta 2 Phone: +45 87 64 35 00 DK-8382 Hinnerup E-mail: fp@furnipart.com</p>																		
COPYRIGHT: THIS DRAWING MAY NOT BE COPIED OR REPRODUCED IN ANY WAY WITHOUT DIRECT PERMISSION FROM FURNIPART A/S																				

PART NO.	C/C MM	LENGTH MM	WEIGHT GRAM
542860160	160	172	121.63
542860320	320	332	214.75

Rev.:	Date:	Name:	Description:
--	---	---	---
--	---	---	---
--	---	---	---
--	---	---	---



Part name: COMPACT	Projection: 	Sheet format: A3	Tolerance unless otherwise specified DS/ISO 2768-1M Linear dimensions:																				
Customer:	Drawn by: IBL	Scale: 1:1																					
Part no.: 542860XXX	Material: ZINC	Sheet 2 of 4	<table border="1"> <tr> <td>0-3</td> <td>3-6</td> <td>6-30</td> <td>30-120</td> <td>120-400</td> <td>400-1000</td> <td>1000-2000</td> </tr> <tr> <td>±0,1</td> <td>±0,1</td> <td>±0,2</td> <td>±0,3</td> <td>±0,5</td> <td>±0,8</td> <td>±1,2</td> </tr> </table>	0-3	3-6	6-30	30-120	120-400	400-1000	1000-2000	±0,1	±0,1	±0,2	±0,3	±0,5	±0,8	±1,2						
0-3	3-6	6-30	30-120	120-400	400-1000	1000-2000																	
±0,1	±0,1	±0,2	±0,3	±0,5	±0,8	±1,2																	
		Weight: XXX	<table border="1"> <tr> <td>Angle</td> <td>Radius</td> </tr> <tr> <td>±0,5°</td> <td>±5%</td> </tr> </table>	Angle	Radius	±0,5°	±5%																
Angle	Radius																						
±0,5°	±5%																						
<table border="1"> <thead> <tr> <th>Rev.:</th> <th>Date:</th> <th>Name:</th> <th>Description:</th> </tr> </thead> <tbody> <tr> <td>--</td> <td>---</td> <td>---</td> <td>---</td> </tr> <tr> <td>--</td> <td>---</td> <td>---</td> <td>---</td> </tr> <tr> <td>--</td> <td>---</td> <td>---</td> <td>---</td> </tr> <tr> <td>--</td> <td>---</td> <td>---</td> <td>---</td> </tr> </tbody> </table>			Rev.:	Date:	Name:	Description:	--	---	---	---	--	---	---	---	--	---	---	---	--	---	---	---	<p>furnipart[®]</p> <p>Delta 2 Phone: +45 87 64 35 00 DK-8382 Hinnerup E-mail: fp@furnipart.com</p>
Rev.:	Date:	Name:	Description:																				
--	---	---	---																				
--	---	---	---																				
--	---	---	---																				
--	---	---	---																				
COPYRIGHT: THIS DRAWING MAY NOT BE COPIED OR REPRODUCED IN ANY WAY WITHOUT DIRECT PERMISSION FROM FURNIPART A/S																							